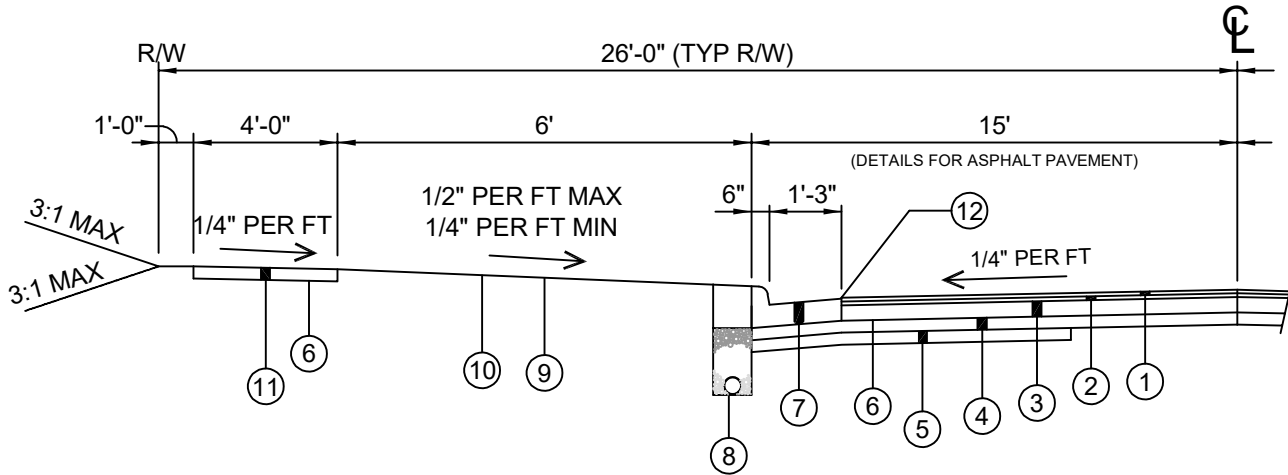


# ASPHALT STREET



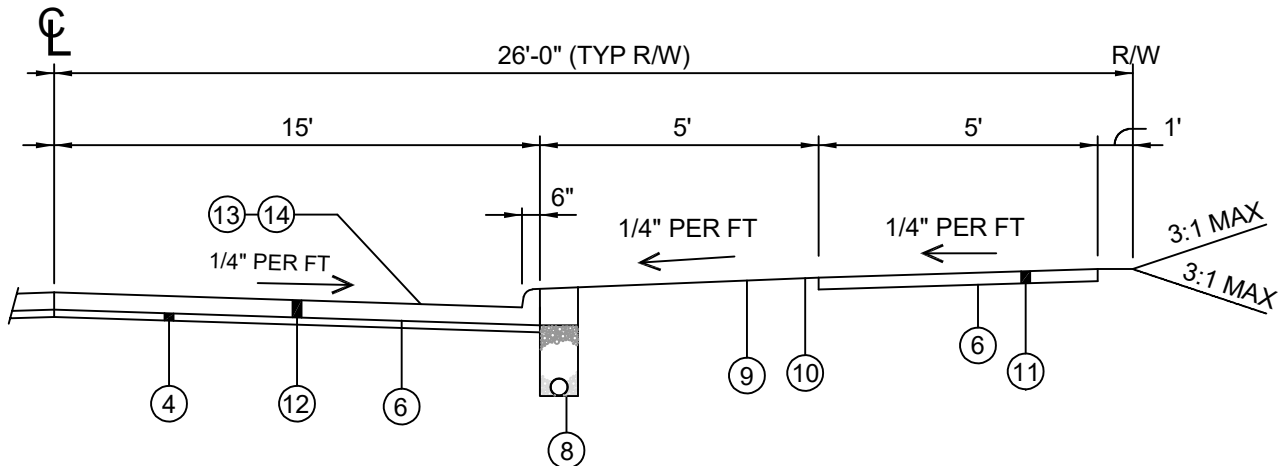
## LEGEND

- |   |  |
|---|--|
| <p>① ITEM 442 1.5" ASPHALT CONCRETE SURFACE COURSE, 9.5MM, TYPE A (448)</p> <p>② ITEM 448 2" ASPHALT CONCRETE, INTERMEDIATE COURSE, TYPE 2, PG 64-22</p> <p>③ ITEM 301 3" BITUMINOUS AGGREGATE BASE</p> <p>④ ITEM 304 8" AGGREGATE BASE FOR ASPH PAVEMENT<br/>6" AGGREGATE BASE FOR CONC PAVEMENT</p> <p>⑤ ITEM 204 SUBGRADE EXAVATION &amp; GRANULAR MATERIAL, TYPE C (AS NECESSARY)</p> <p>⑥ ITEM 204 SUBGRADE COMPACTION</p> <p>⑦ ITEM 609 21" COMBINATION CURB &amp; GUTTER; TYPE 2 MODIFIED</p> <p>⑧ ITEM 605 4" BASE PIPE UNDERDRAINS (SEE STANDARD DETAIL)</p> | <p>⑨ ITEM 659 2" TOPSOIL</p> <p>⑩ ITEM 659 SEEDING AND MULCHING</p> <p>⑪ ITEM 608 4" CONCRETE SIDEWALK; 6" CONCRETE IN RESIDENTIAL DRIVEWAYS</p> <p>⑫ ITEM 452 7" PLAIN PORTLAND CEMENT CONCRETE PAVEMENT WITH TYPE 2A INTEGRAL CURB</p> <p>⑬ ITEM 451.08 LONGITUDINAL &amp; TRANSVERSE JOINTS; SAW CUT TRANSVERSE JOINTS ON 18'-22' CENTERS AND AT RE-ENTRY CORNERS; SKEW JOINTS 3' FROM PERPENDICULAR WITH BACK OF CURB</p> <p>⑭ ITEM 451.13/705.04 JOINT SEALING; LONGITUDINAL, TRANSVERSE AND CURB &amp; GUTTER JOINTS</p> |
|---|--|

**NOTES:**

- \* WHERE GRANULAR FILL IS USED TO REPLACE SOFT SUBBASE AREAS, EXTEND CUT AND GRANULAR FILL TO UNDERDRAIN.
- \*\* COMPACTION OF TRENCHES IN THE RIGHT-OF-WAY IS REQUIRED ON ALL TRENCHES.
- \*\* GRANULAR MATERIAL TYPE C SHALL BE PLACED IN LIFT THICKNESSES NO SMALLER THAN 8" AND NO LARGER THAN 12" UNLESS OTHERWISE APPROVED BY THE ENGINEER.

# CONCRETE STREET



FAIRBORN

A CITY IN MOTION

---

ENGINEERING DIVISION  
44 W. HEBBLE AVENUE FAIRBORN, OHIO 45324  
PH: (937) 754-3055 FX: (937) 879-7395

<b>TYPICAL IMPROVED RESIDENTIAL STREET</b>					
<b>NOTE 1:</b> DRAWING VALID ONLY WHEN USED AS SHOWN AND IN CONJUNCTION WITH OTHER FAIRBORN ENGINEERING SPECIFICATIONS AND/OR DETAILS. THIS DRAWING REPRESENTS MINIMUM STANDARDS. ANY MODIFICATIONS TO THIS DETAIL SHALL FIRST BE SUBMITTED TO THE CITY ENGINEER FOR APPROVAL.					
<b>NOTE 2:</b> CALL THE FOLLOWING AGENCIES AT LEAST 48 HOURS IN ADVANCE OF ANY EXCAVATION: <b>O.U.P.S. AT 8-1-1 AND O.A.G.P.U.P.S. AT (800) 925-0988</b>					
REV NO	REV DATE	REV DESCRIPTION	REV NO	REV DATE	REV DESCRIPTION

<b>DWG NO:</b>	<b>PV-1.2</b>
<b>ISSUE DATE:</b>	<b>01/25/2019</b>
<b>ENGR:</b>	<b>MAJ</b>
<b>APPROVED:</b>	<b>TLH</b>
<b>SCALE:</b>	<b>NONE</b>
<b>FILE:</b>	