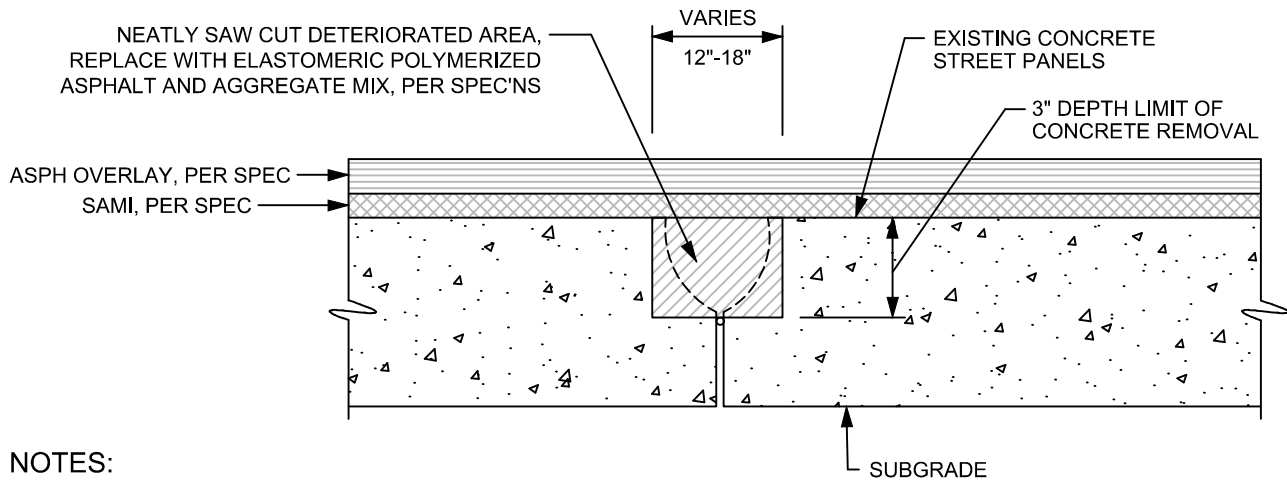


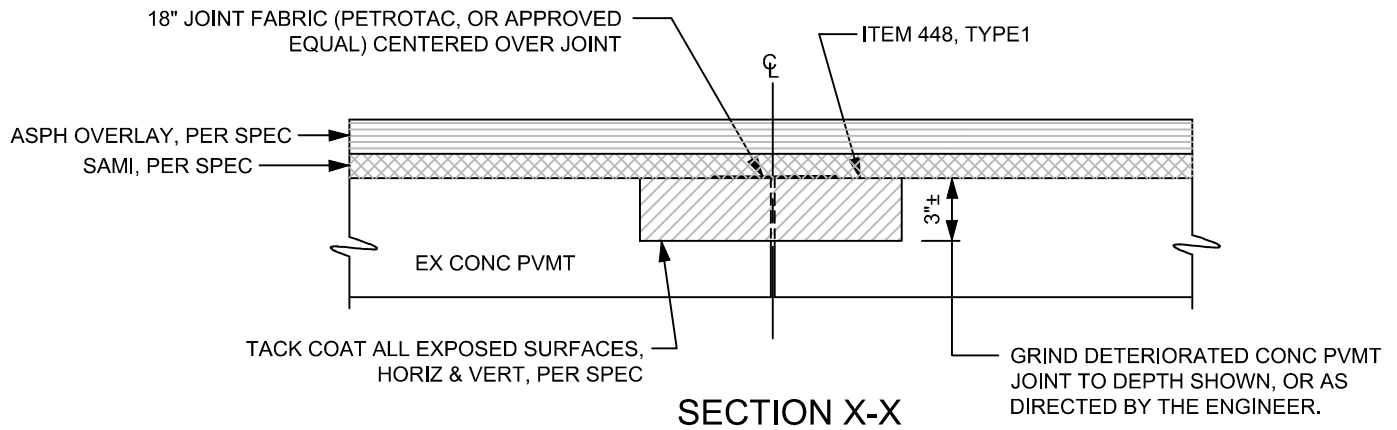
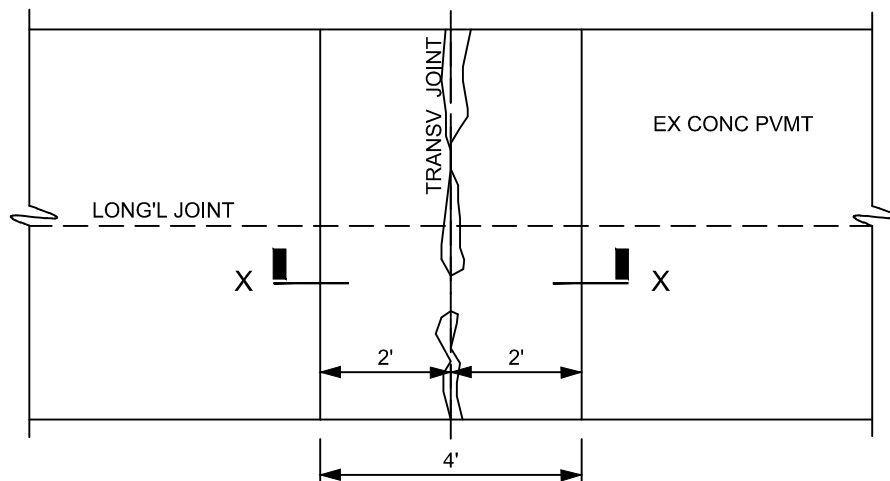
## TYPE "A" JOINT REPAIR



**NOTES:**

1. TYPE "A" JOINT REPAIR LIMITED TO 3" DEPTH, OTHERWISE CITY TO FILL WITH ASPHALT.
2. DETERIORATED CONCRETE SHALL BE REMOVED BY MECHANICAL GRINDING. DUST SHALL BE CONTROLLED.

## TYPE "B" JOINT REPAIR




**FAIRBORN**  
A CITY IN MOTION

**ENGINEERING DIVISION**  
44 W. HEBBLE AVENUE FAIRBORN, OHIO 45324  
PH: (937) 754-3055 FX: (937) 879-7395

CONCRETE JOINT REPAIR - TYPE A & B					
<b>NOTE 1:</b> DRAWING VALID ONLY WHEN USED AS SHOWN AND IN CONJUNCTION WITH OTHER FAIRBORN ENGINEERING SPECIFICATIONS AND/OR DETAILS. THIS DRAWING REPRESENTS MINIMUM STANDARDS. ANY MODIFICATIONS TO THIS DETAIL SHALL FIRST BE SUBMITTED TO THE CITY ENGINEER FOR APPROVAL. <b>NOTE 2:</b> CALL THE FOLLOWING AGENCIES AT LEAST 48 HOURS IN ADVANCE OF ANY EXCAVATION: <b>O.U.P.S. AT 8-1-1 AND O.A.G.P.U.P.S. AT (800) 925-0988</b>					
REV NO.	REV DATE	REV DESCRIPTION	REV NO.	REV DATE	REV DESCRIPTION

DWG NO:	<b>PV-5.0</b>
ISSUE DATE:	<b>03/14/2017</b>
ENG'R:	<b>MAJ</b>
APPROVED:	<b>DPO</b>
SCALE:	<b>NONE</b>
FILE:	