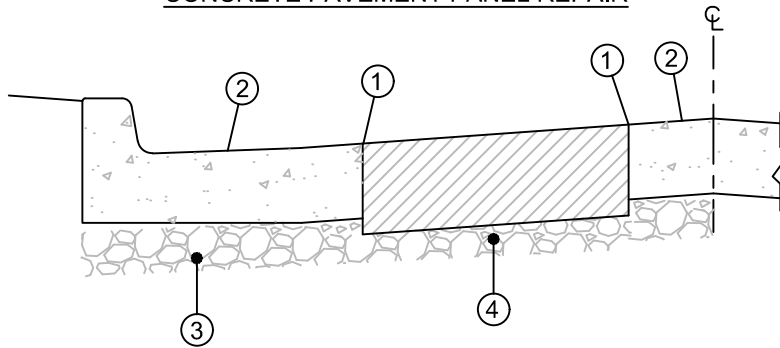


### CONCRETE PAVEMENT PANEL REPAIR



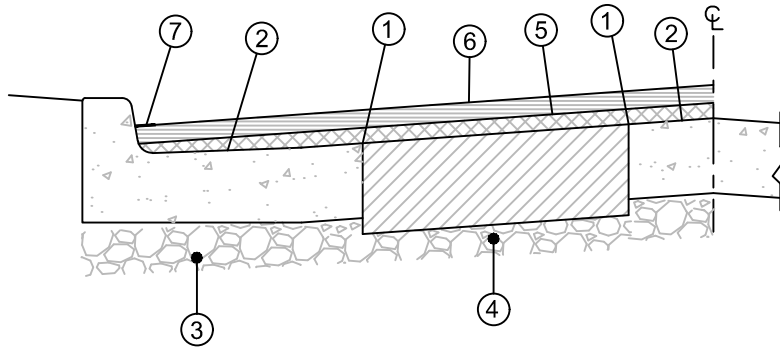
**LEGEND:**

1. NEATLY SAW CUT PAVEMENT FOR REPAIR
2. EXISTING CONCRETE PAVEMENT
3. EXISTING BASE
4. COMPACTED BASE OR SUBGRADE
5. STRESS ABSORBING MEMBRANE INTERLAYER (SAMI TYPE I)
6. ASPHALT WEARING SURFACE PER SPECIFICATION ITEM 448, TYPE 1, PG64-22
7. SEAL EDGE USING HOT ASPHALT CEMENT

**NOTES:**

1. FINAL LOCATION AND SIZE OF REPAIRS SHALL BE AS DIRECTED BY THE ENGINEER.
2. MINIMUM DEPTH OF CONCRETE REPAIR SHALL BE 8", OR AS DIRECTED BY THE ENGINEER.

### CONCRETE PAVEMENT REPAIR, SAMI, OVERLAY



**ENGINEERING DIVISION**  
 44 W. HEBBLE AVENUE FAIRBORN, OHIO 45324  
 PH: (937) 754-3055 FX: (937) 879-7395

## PAVEMENT REPAIR - CONCRETE

DWG NO: **PV-6.2**

**NOTE 1:** DRAWING VALID ONLY WHEN USED AS SHOWN AND IN CONJUNCTION WITH OTHER FAIRBORN ENGINEERING SPECIFICATIONS AND/OR DETAILS. THIS DRAWING REPRESENTS MINIMUM STANDARDS. ANY MODIFICATIONS TO THIS DETAIL SHALL FIRST BE SUBMITTED TO THE CITY ENGINEER FOR APPROVAL.

**NOTE 2:** CALL THE FOLLOWING AGENCIES AT LEAST 48 HOURS IN ADVANCE OF ANY EXCAVATION:  
**O.U.P.S. AT 8-1-1 AND O.A.G.P.U.P.S. AT (800) 925-0988**

ISSUE DATE: **03/14/2017**

ENG'R: **MAJ**

APPROVED: **DPO**

SCALE: **NONE**

FILE:

REV NO.	REV DATE	REV DESCRIPTION	REV NO.	REV DATE	REV DESCRIPTION