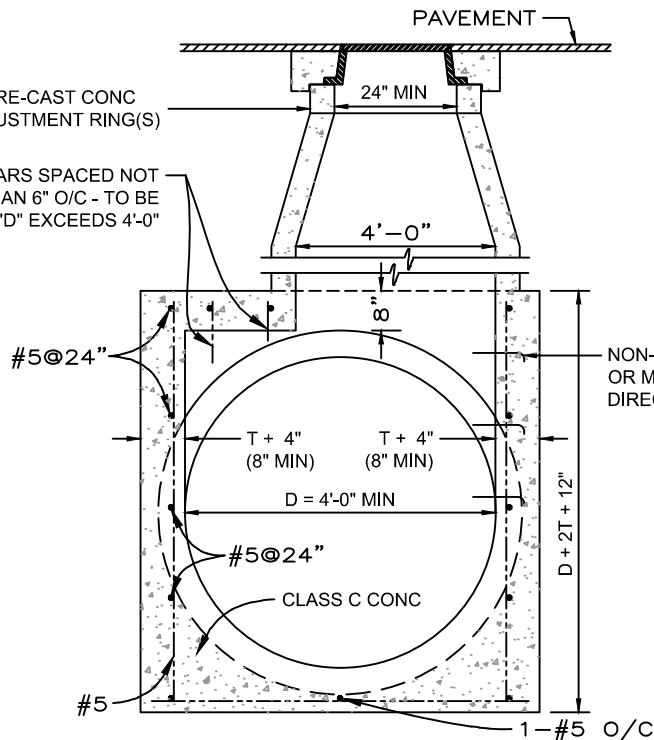
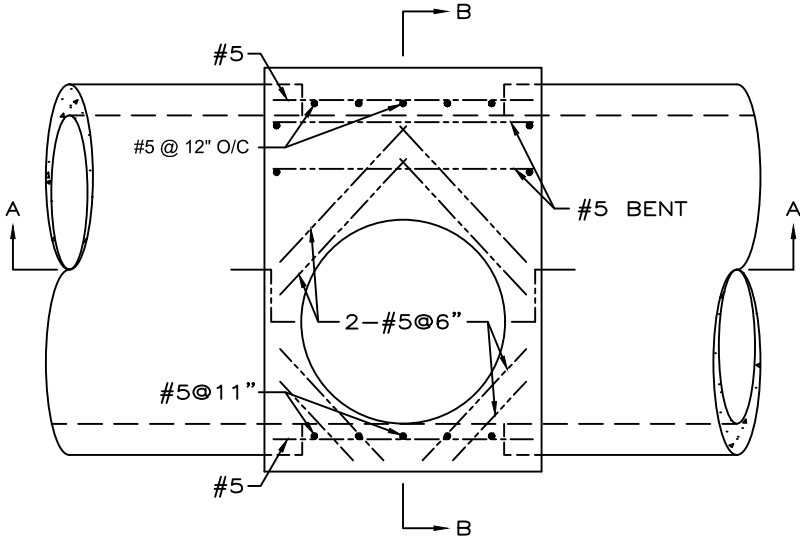


SECTION A-A



SECTION B-B



PLAN

- NOTES:**
1. USE NON-SHRINK WATERTIGHT GROUT FOR INTERIOR AND EXTERIOR PATCHING.
 2. OPENING MUST BE PRE CAST OR CORED. OPENING SHALL BE PIPE OD + 2".
 3. ADJUST CASTING ELEVATION WITH PRE-CAST CONC GRADE RINGS, 12" MAX. BRICK IS NOT PERMITTED.
 4. FLAT SLAB TRANSITION OR ECCENTRIC MAY BE USED AS APPROVED BY THE ENGINEER.

TYPE "C" STORM MANHOLE
(FOR STORM SEWERS LARGER THAN 48"Ø)



ENGINEERING DIVISION
44 W. HEBBLE AVENUE FAIRBORN, OHIO 45324
PH: (937) 754-3055 FX: (937) 879-7395

STORM MANHOLE LARGE DIAMETER - TYPE C

NOTE 1: DRAWING VALID ONLY WHEN USED AS SHOWN AND IN CONJUNCTION WITH OTHER FAIRBORN ENGINEERING SPECIFICATIONS AND/OR DETAILS. THIS DRAWING REPRESENTS MINIMUM STANDARDS. ANY MODIFICATIONS TO THIS DETAIL SHALL FIRST BE SUBMITTED TO THE CITY ENGINEER FOR APPROVAL.
NOTE 2: CALL THE FOLLOWING AGENCIES AT LEAST 48 HOURS IN ADVANCE OF ANY EXCAVATION:
O.U.P.S. AT 8-1-1 AND O.A.G.P.U.P.S. AT (800) 925-0988

REV NO.	REV DATE	REV DESCRIPTION	REV NO.	REV DATE	REV DESCRIPTION

DWG NO:	ST-2.3
ISSUE DATE:	03/14/2017
ENGR:	MAJ
APPROVED:	DPO
SCALE:	NONE
FILE:	