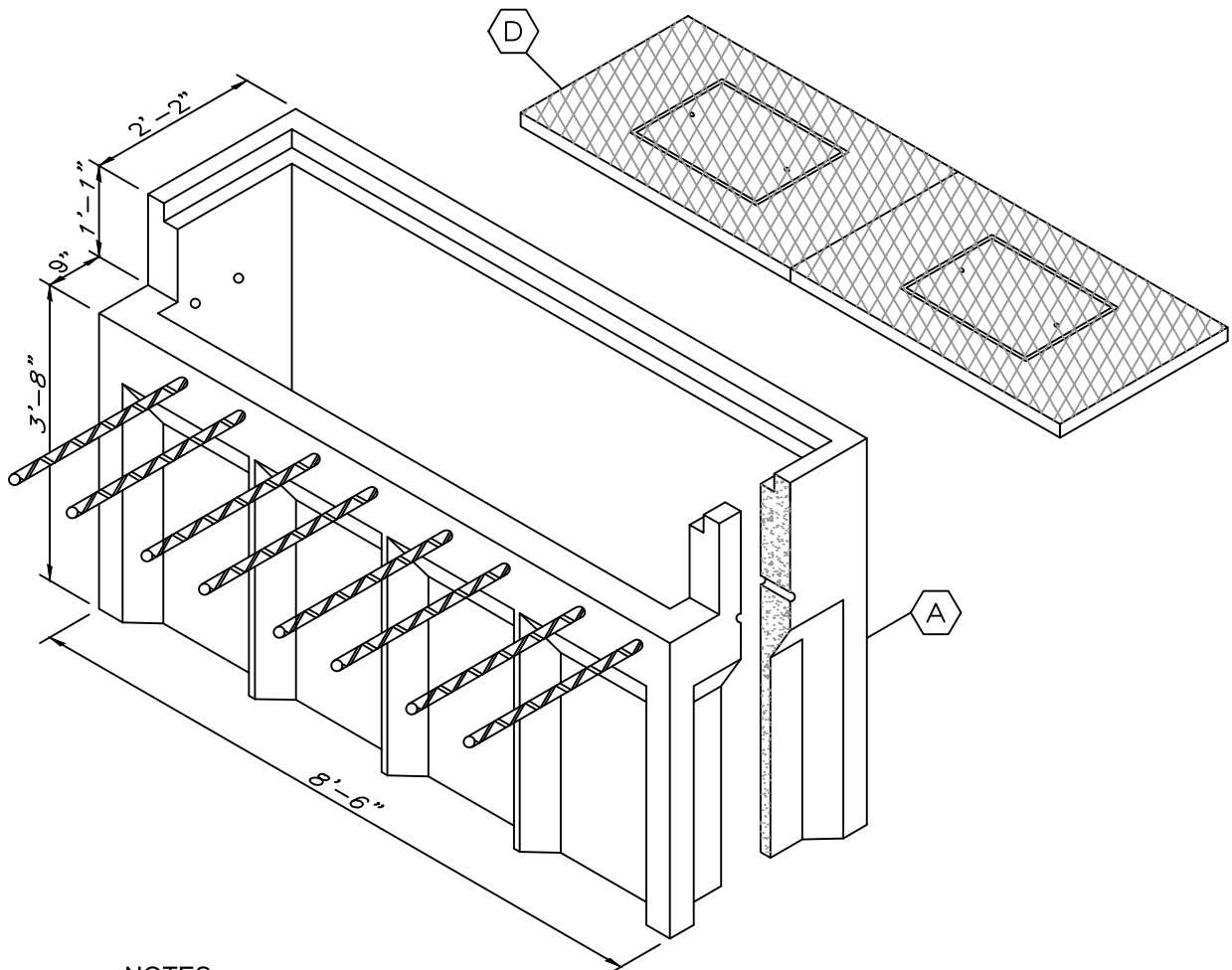


PARTS LIST

D	CASTING:	NEENAH 3312-B				
C	TOP SLABS:	AVAILABLE HEIGHTS	N/A	WEIGHT		
B	EXTENSIONS:	AVAILABLE HEIGHTS	N/A	WEIGHT		
A	BOX SECTION:	AVAILABLE HEIGHTS	W/ HOLES N/A N/A N/A N/A	WEIGHT	W/ KNOCKOUTS 36" 57"	WEIGHT 3900 6100
A	BOX DIMENSIONS:	INSIDE 7'-8" x 1'-11"	OUTSIDE 8'-6" x 2'-11"	WALLS (TYP) 6"	WALLS (@ KO's) 2"	BOTTOM N/A



NOTES:

1. CONCRETE STRENGTH SHALL BE 4,000 PSI AT 28 DAYS.
2. REINFORCEMENT PER ASTM C-913.
3. ODOT CLASS C CONCRETE.
4. MAXIMUM PIPE SIZE 16" O.D.
5. CATCH BASIN SHALL HAVE THE FOLLOWING TEXT CAST INTO THE TOP CASTING:
"DUMP NO WASTE - DRAINS TO WATERWAY".
6. ALL GRATE SHALL BE BICYCLE SAFE.



FAIRBORN
A CITY IN MOTION

ENGINEERING DIVISION
44 W. HEBBLE AVENUE FAIRBORN, OHIO 45324
PH: (937) 754-3055 FX: (937) 879-7395

STORM INLET - TYPE "B"

DWG NO: **ST-3.1**

NOTE 1: DRAWING VALID ONLY WHEN USED AS SHOWN AND IN CONJUNCTION WITH OTHER FAIRBORN ENGINEERING SPECIFICATIONS AND/OR DETAILS. THIS DRAWING REPRESENTS MINIMUM STANDARDS. ANY MODIFICATIONS TO THIS DETAIL SHALL FIRST BE SUBMITTED TO THE CITY ENGINEER FOR APPROVAL.

NOTE 2: CALL THE FOLLOWING AGENCIES AT LEAST 48 HOURS IN ADVANCE OF ANY EXCAVATION:
O.U.P.S. AT 8-1-1 AND O.A.G.P.U.P.S. AT (800) 925-0988

REV NO.	REV DATE	REV DESCRIPTION	REV NO.	REV DATE	REV DESCRIPTION

ISSUE DATE: **03/14/2017**

ENGR: **MAJ**

APPROVED: **DPO**

SCALE: **NONE**

FILE: