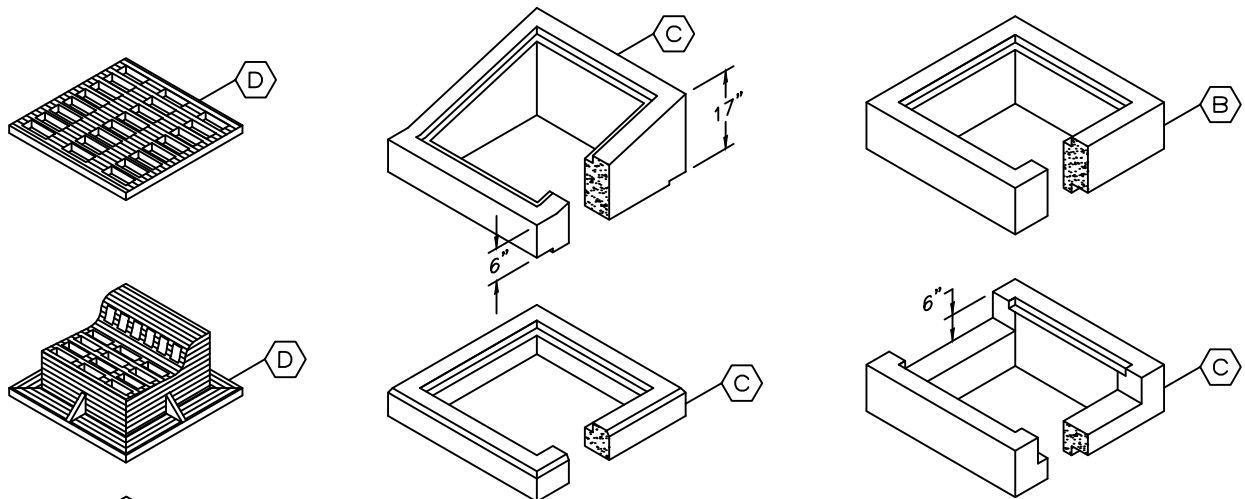


**PARTS LIST**

<b>D</b>	CASTING:	NEENAH R-4859C		
<b>C</b>	TOP SLABS:	<u>TYPE</u> FLAT TOP SOLID FLAT TOP SLOPED TOP	<u>AVAILABLE HEIGHTS</u> 5" 5" 17"	<u>WEIGHT (LBS)</u> 360 700 1200
<b>B</b>	EXTENSIONS:		<u>AVAILABLE HEIGHTS</u> 6" 12" 18" 4" 42" 2-2A 12"	<u>WEIGHT (LBS)</u> 375 750 1125 1500 2650 600
<b>A</b>	BOX SECTION:	<u>TYPE</u> W/ BOTTOM W/O BOTTOM W/ BOTTOM W/O BOTTOM	<u>W/ HOLES</u> 24" 24" 42" 42"	<u>WEIGHT (LBS)</u> 1800 1500 2925 2625
<b>A</b>	BOX DIMENSIONS:	<u>INSIDE</u> 2'-0" X 2'-0"	<u>OUTSIDE</u> 3'-0" X 3'-0"	<u>WALLS</u> 6" <u>BOTTOM</u> 6"



**CATCH BASIN 2-2-B**

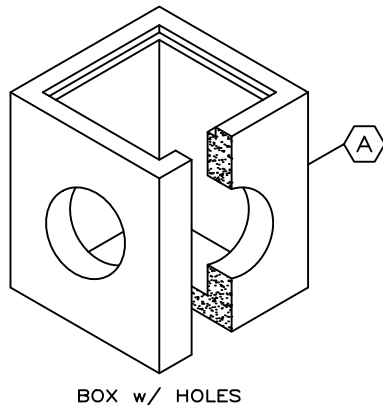
**CATCH BASIN 2-2-A**

**SPECIFICATIONS**

CONCRETE STRENGTH:	4,000 PSI
REINFORCEMENT:	ASTM C-913
REQUIREMENTS:	ODOT
MAX PIPE SIZE:	19 1/4" (OD)

**NOTES:**

- CATCH BASIN SHALL HAVE THE FOLLOWING TEXT CAST INTO THE TOP OF THE CURB CASTING: "DUMP NO WASTE" AND "DRAINS TO WATERWAY".
- ALL GRATES SHALL BE BICYCLE SAFE.



BOX w/ HOLES



ENGINEERING DIVISION  
44 W. HEBBLE AVENUE FAIRBORN, OHIO 45324  
PH: (937) 754-3055 FX: (937) 879-7395

**CATCH BASINS 2-2-A & 2-2-B**

DWG NO: **ST-4.0**

**NOTE 1:** DRAWING VALID ONLY WHEN USED AS SHOWN AND IN CONJUNCTION WITH OTHER FAIRBORN ENGINEERING SPECIFICATIONS AND/OR DETAILS. THIS DRAWING REPRESENTS MINIMUM STANDARDS. ANY MODIFICATIONS TO THIS DETAIL SHALL FIRST BE SUBMITTED TO THE CITY ENGINEER FOR APPROVAL.

**NOTE 2:** CALL THE FOLLOWING AGENCIES AT LEAST 48 HOURS IN ADVANCE OF ANY EXCAVATION:  
**O.U.P.S. AT 8-1-1 AND O.A.G.P.U.P.S. AT (800) 925-0988**

REV NO.	REV DATE	REV DESCRIPTION	REV NO.	REV DATE	REV DESCRIPTION

ISSUE DATE:	<b>03/14/2017</b>
ENGR:	<b>MAJ</b>
APPROVED:	<b>DPO</b>
SCALE:	<b>NONE</b>
FILE:	